



343

gas distribution manifolds series

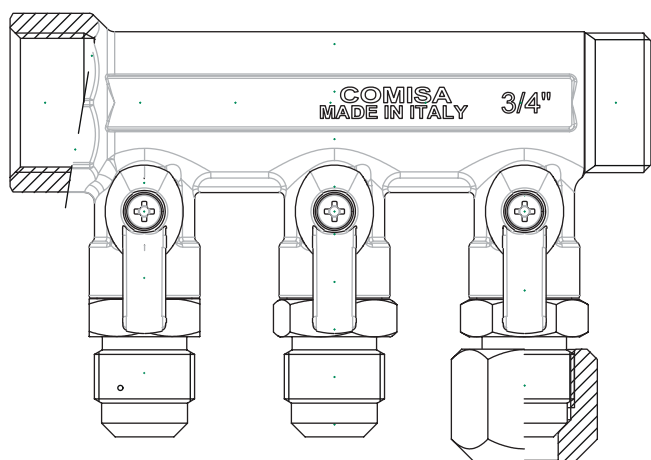
Comisa modular gas manifolds with shut-off ball valves can be connected to each other simply and effectively.

The manifolds are produced starting from a molded body, a feature that gives them extreme solidity as well as a reduced roughness, obtained with machining by chip removal, on all internal surfaces and a stress relieving heat treatment.

Thanks to the use of the shut-off ball valves the various utilities can be made independent. Models from 2 to 4 outlets are available with main connections 3/4" and connections 1/2" sae short nut.

The 1/2" SAE MALE has a flare of 45° and a SAE SHORT NUT.





343

CODE	OUTLETS	DISTANCE	LENGHT
CL0343002010	2	36 mm	86 mm
CL0343003010	3	36 mm	122 mm
CL0343004010	4	36 mm	158 mm



This type of connection is not contemplated in the CE standard for gas.

Comisa guarantees the conformity of the individual components, but it is always the responsibility of the installer to verify compatibility with the different types of pipes used in the system and the correct installation of the component.

